

Vektor

Outdoor Lighting - Projector



Colour Options



Ral 7016

TECHNICAL INFORMATION

Housing	Aluminum Injection Body
Optics	Acrylic Optical Lens
Glass	Tempered, Clear Glass Diffuser
Paint	Electrostatic Powder Paint

OPTICAL SPECIFICATIONS

Optics	Asymmetrical
Light Output Angle	8°, 18°, 40°
UGR Value	UGR ≤ 22
CRI	CRI ≥ 70
Color Bin Value	Mc Adams ≤ 3

ELECTRICAL

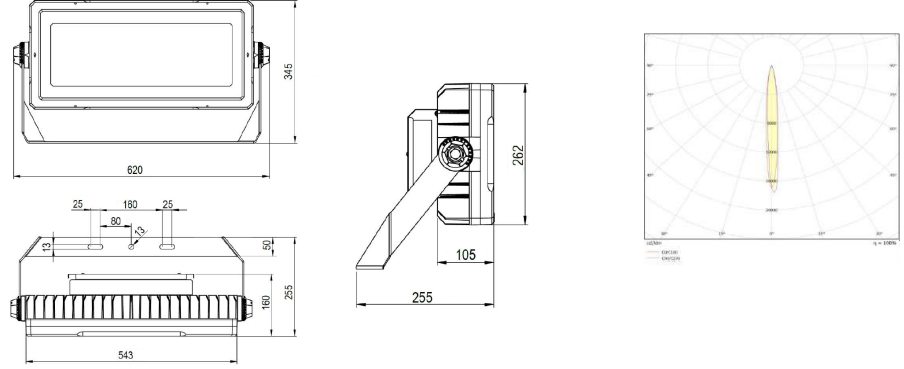
Power (W)	400W
Power Factor	>0.95
Light Source	SMD High Power LED
Cabling	Halojen-Free
Power Factor	220-240V AC / 50-60 Hz
LED Driver	High Efficiency Constant Current Output
Ambient Temperature	-20°C / +40°C
LED Lifetime L80B50	>50.000 Hour

OPTIONAL

- DALI	- 1-10V DIM
- SPD	- Emergency Lighting Unit
- 2700K ~ 6500K	

ASSEMBLY

Installation Type	Surface Mounted
Mounting Apparatus	Metal Console



Order Code	W	Lm	Productivity	CCT	CRI	Angle	WxLxH (mm)	Kg
09372.12.30.052	400	56000	130 Lm/W	3000	Ra>70	8°, 18°, 40°	345x621x255	12 k
09372.12.40.052	400	56000	130 Lm/W	4000	Ra>70	8°, 18°, 40°	345x621x255	12 k
09372.12.57.052	400	56000	130 Lm/W	5700	Ra>70	8°, 18°, 40°	345x621x255	12 k
09372.12.65.052	400	56000	130 Lm/W	6500	Ra>70	8°, 18°, 40°	345x621x255	12 k

