

Lasting-M

Outdoor Lighting - Street Lighting, Urban Lighting



Colour Options



Ral 7016

TECHNICAL INFORMATION

Housing	Aluminum Injection
Glass	Tempered Clear Glass
Optics	PMMA Optical Lens
Paint	Electrostatic Powder Paint

OPTICAL SPECIFICATIONS

Light Output Angle	Asymmetrical
CRI	CRI ≥ 70
Color Bin Value	Mc Adams ≤ 3

ELECTRICAL

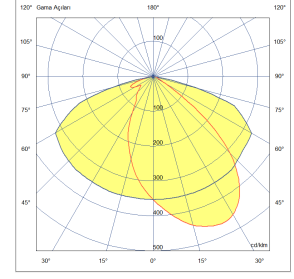
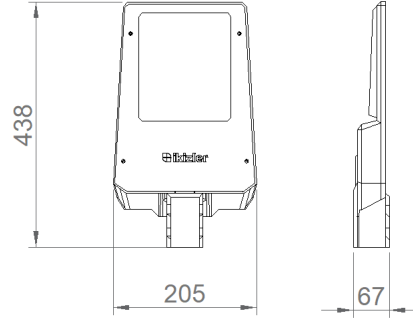
Power (W)	60-100W
Power Factor	>0.95
Light Source	SMD High Power LED
Cabling	Halojen-Free
Input Voltage	220-240V AC / 50-60 Hz
LED Driver	High Efficiency Constant Current Output
Ambient Temperature	-40°C / +50°C
LED Lifetime L80B50	>50.000 Hour

OPTIONAL

DALI *
1-10V DIM *
2700K ~ 6500K
Different RAL Color Options
SPD
Plug-in Energy Input Connector
Class-II Protection Class

ASSEMBLY

Installation Type Surface Mounted
Mounting Apparatus Ø42-60mm Fixed Aluminum Metal Console



Order Code	W	Lm	Productivity	CCT	WxLxH (mm)	ØD (Console-mm)	Kg
09495.42.40.084	60	8400	140 lm/W	4000	205x438x67	42-60	3,5
09495.42.40.105	75	10500	140 lm/W	4000	205x438x67	42-60	3,5
09495.42.40.130	100	13000	130 lm/W	4000	205x438x67	42-60	3,5

