

Cicala-P

Indoor Lighting - Emergency Lighting and Directional Luminaire



Colour Options



Ral 9006

TECHNICAL INFORMATION

Housing	Metal Sheet
Frame	Metal Sheet
Reflector	Acrylic Lens
Paint	Electrostatic Powder Paint

OPTICAL SPECIFICATIONS

UGR Value	UGR ≤ 19
CRI	CRI ≥ 80

ELECTRICAL

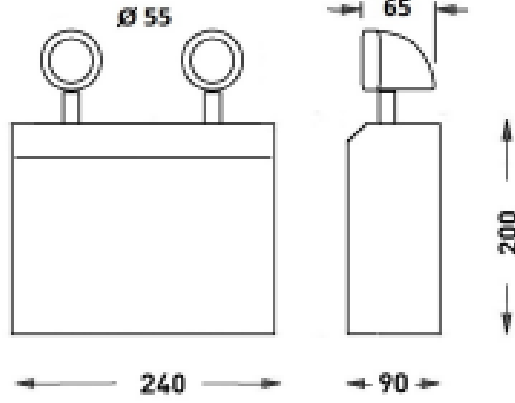
Power (W)	>0.95
Power Factor	>0.95
Light Source	SMD Mid Power LED
Input Voltage	220-240V AC / 50-60 Hz
LED Driver	High Efficiency Constant Current Output Rail
Ambient Temperature	+10°C / +40°C
LED Lifetime L80B50	30.000 Saat

OPTIONAL

- DALI	- 1-10V DIM
- Tunable White	- Emergency Lighting Unit
- CRI > 90	- 2700K ~ 6500K
- Different RAL Color Options	- Plug-in Energy Input Connector
- Class-I Protection Class	- PIR Sensor
- AC-DC Supply(MBS)	

ASSEMBLY

Installation Type	Surface Mounted
Mounting Apparatus	Metal Bracket



Order Code	W	Lm	Mode of Operation	Battery	WxHxL (mm)	Kg
82410.011.000	2x9	2000	Acil Kesintide	3H	130X180X240	4

