

Fedora-R

Acoustic Lighting - STILL Series



Colour Options



TECHNICAL INFORMATION

Housing	Extruded Aluminum Profile
Housing	Acoustic Felt
Diffuser	Permeable Opal Diffuser
Paint	Electrostatic Powder Paint

OPTICAL SPECIFICATIONS

Optics	Symmetrical
Light Output Angle	120°
UGR Value	UGR ≤ 22
CRI	CR ≥ 80
Color Bin Value	Mc Adams ≤ 3

ELECTRICAL

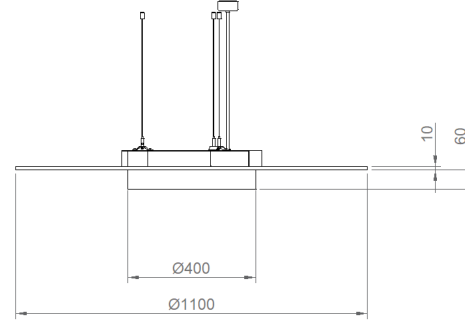
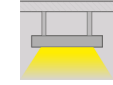
Power (W)	30W
Power Factor	>0.95
Light Source	SMD Mid Power LED
Cabling	Halogen-Free
Input Voltage	220-240V AC / 50-60 Hz
LED Driver	High Efficiency Constant Current Output
Ambient Temperature	-20°C / +50°C
LED Lifetime L80B50	>50.000 Hour

OPTIONAL

- DALI	- 1-10V DIM
- Tunable White	- Emergency Lighting Unit
- CRI > 90	- 2700K ~ 6500K
- Different RAL Color Options	- Plug-in Connector
- Class-I Protection Class	- AC-DC Supply(MBS)

ASSEMBLY

Installation Type Surface Mounted, Pendant



Order Code	W	Lm	CCT	CRI	L (mm)
03170.11.30.029	30	2900	3000	Ra>80	1100x60
03170.11.40.029	30	2900	4000	Ra>80	1100x60

