

Tiny 040

Indoor Lighting - Spot Lighting



Colour Options



Ral 9016

TECHNICAL INFORMATION

| | |
|------------------|----------------------------|
| Housing | Aluminum Injection |
| Reflector | Metallized Surface Optics |
| Diffuser | Transparent Lens |
| Paint | Electrostatic Powder Paint |

OPTICAL SPECIFICATIONS

| | |
|---------------------------|--------------|
| Light Distribution | Symmetrical |
| Light Output Angle | 39° |
| UGR Value | UGR ≤ 19 |
| CRI | CRI ≥ 80 |
| Color Bin Value | Mc Adams ≤ 3 |

ELECTRICAL

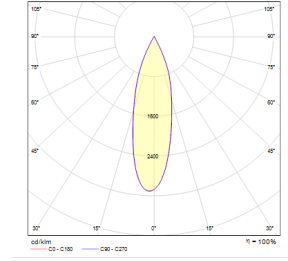
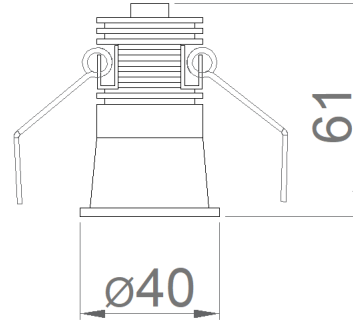
| | |
|----------------------------|---|
| Power (W) | 2,5W-5W |
| Power Factor | >0.95 (5W) / >0.5(2,5W) |
| Light Source | COB LED |
| Cabling | Halojen-Free |
| Input Voltage | 220-240V AC / 50-60 Hz |
| LED Driver | High Efficiency Constant Current Output |
| Ambient Temperature | -20°C / +50°C |
| LED Lifetime L80B50 | >50.000 Hour |

OPTIONAL

2700K ~ 6500K
CRI > 90
Plug-in Energy Input Connector

ASSEMBLY

Installation Type Under Plaster
Mounting Steel Spring
Apparatus



| Order Code | W | Lm | Angle | CCT | CRI | ØxH (mm) | Ceiling Cutting (mm) | Kg |
|-----------------|-----|-----|-------|------|-------|----------|----------------------|------|
| 05112.03.30.001 | 2,5 | 190 | 39° | 3000 | Ra>80 | 40x61 | Ø35 | 0,06 |
| 05112.03.40.001 | 2,5 | 205 | 39° | 4000 | Ra>80 | 40x61 | Ø35 | 0,06 |
| 05112.03.30.003 | 5 | 390 | 39° | 3000 | Ra>80 | 40x61 | Ø35 | 0,06 |
| 05112.03.40.003 | 5 | 420 | 39° | 4000 | Ra>80 | 40x61 | Ø35 | 0,06 |

