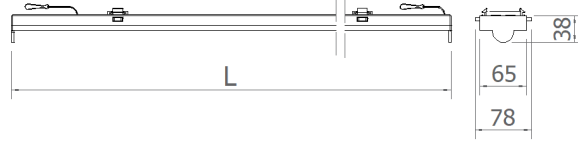
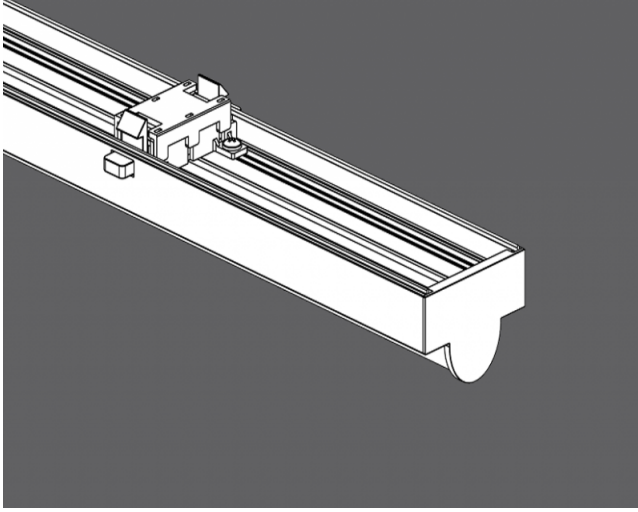


Runnel Blanking Cover

Continuous Lighting System - Runnel



Order Code	L (mm)
07200.000.000.004	1133
07200.000.000.005	1413
07200.000.000.006	1693

TECHNICAL INFORMATION

OPTICAL SPECIFICATIONS

ELECTRICAL

OPTIONAL

ASSEMBLY

Installation Type Surface Mounted, Pendant

