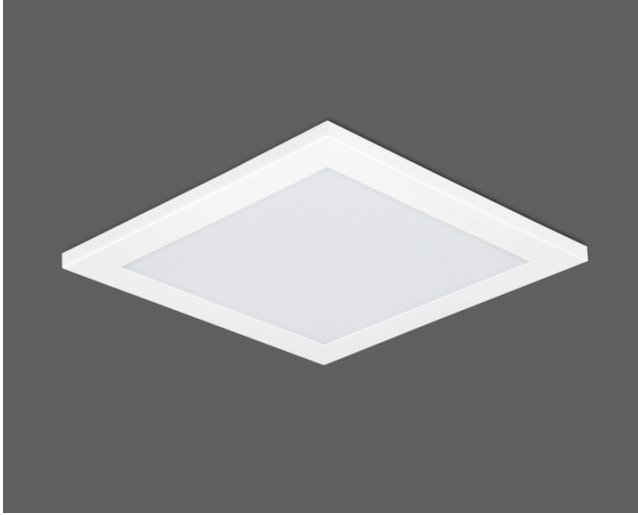


Canvas

Indoor Lighting - Downlight Lighting



Colour Options



TECHNICAL INFORMATION

| | |
|-----------------|-------------------------------|
| Housing | Metal Sheet |
| Frame | Metal Sheet |
| Diffuser | High Light Transmittance Opal |
| Paint | Electrostatic Powder Paint |

OPTICAL SPECIFICATIONS

| | |
|---------------------------|--------------|
| Optics | Symmetrical |
| Light Output Angle | 110° |
| UGR Value | UGR ≤ 22 |
| CRI | CRI ≥ 80 |
| Color Bin Value | Mc Adams ≤ 3 |

ELECTRICAL

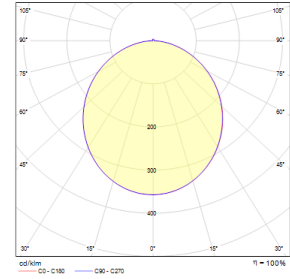
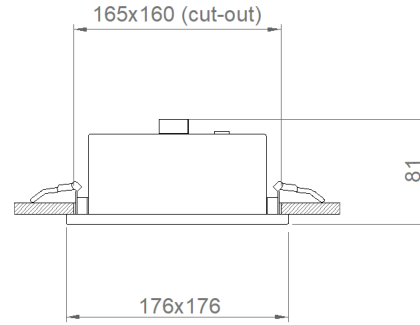
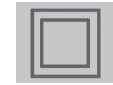
| | |
|----------------------------|---|
| Power (W) | 13-18W |
| Power Factor | >0.95 |
| Light Source | SMD Mid Power LED |
| Cabling | Halogen-Free |
| Input Voltage | 220-240V AC / 50-60 Hz |
| LED Driver | High Efficiency Constant Current Output |
| Ambient Temperature | -20°C / +50°C |
| LED Lifetime L80B50 | >50.000 Hour |

OPTIONAL

| | |
|--------------------------------------|-------------------------------|
| - DALI | - 1-10V DIM |
| - Tunable White | - Emergency Lighting Unit |
| - Microprismatic Diffuser (UGR < 19) | - CRI > 90 |
| - 2700K ~ 6500K | - Different RAL Color Options |
| - Plug-in Connector | - Class-I Protection Class |
| - PIR Sensor | - AC-DC Supply(MBS) |

ASSEMBLY

| | |
|---------------------------|---------------|
| Installation Type | Under Plaster |
| Mounting Apparatus | Steel Spring |



| Order Code | W | Lm | CCT | CRI | WxLxH (mm) | Ceiling Cutting (mm) | Kg |
|-----------------|----|------|------|-------|------------|----------------------|-----|
| 05247.22.40.016 | 13 | 1200 | 4000 | Ra>80 | 175x175x81 | 165x160 | 0,6 |

