

Canvas

Indoor Lighting - Downlight Lighting



Colour Options



TECHNICAL INFORMATION

Housing	Metal Sheet
Frame	Metal Sheet
Diffuser	High Light Transmittance Opal
Paint	Electrostatic Powder Paint

OPTICAL SPECIFICATIONS

Optics	Symmetrical
Light Output Angle	110°
UGR Value	UGR ≤ 22
CRI	CRI ≥ 80
Color Bin Value	Mc Adams ≤ 3

ELECTRICAL

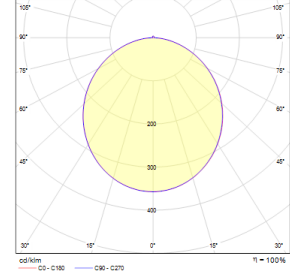
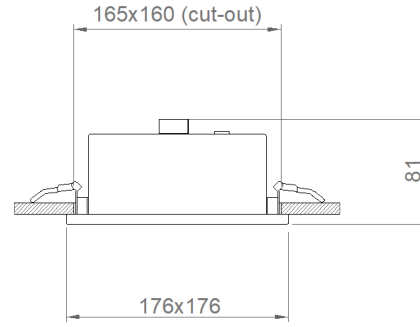
Power (W)	13-18W
Power Factor	>0.95
Light Source	SMD Mid Power LED
Cabling	Halogen-Free
Input Voltage	220-240V AC / 50-60 Hz
LED Driver	High Efficiency Constant Current Output
Ambient Temperature	-20°C / +50°C
LED Lifetime L80B50	>50.000 Hour

OPTIONAL

- DALI	- 1-10V DIM
- Tunable White	- Emergency Lighting Unit
- Microprismatic Diffuser (UGR < 19)	- CRI > 90
- 2700K ~ 6500K	- Different RAL Color Options
- Plug-in Connector	- Class-I Protection Class
- PIR Sensor	- AC-DC Supply(MBS)

ASSEMBLY

Installation Type	Under Plaster
Mounting Apparatus	Steel Spring



Order Code	W	Lm	CCT	CRI	WxLxH (mm)	Ceiling Cutting (mm)	Kg
05247.22.30.021	18	1850	3000	Ra>80	175x175x81	165x160	0,6

