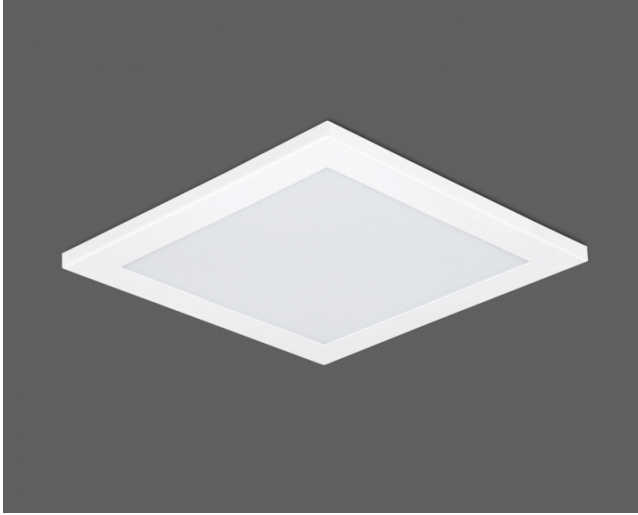




# Canvas

Indoor Lighting - Downlight Lighting



Colour Options



Ral 9016



Ral 9006



Ral 9005

## TECHNICAL INFORMATION

<b>Housing</b>	Metal Sheet
<b>Frame</b>	Metal Sheet
<b>Diffuser</b>	High Light Transmittance Opal
<b>Paint</b>	Electrostatic Powder Paint

## OPTICAL SPECIFICATIONS

<b>Optics</b>	Symmetrical
<b>Light Output Angle</b>	110°
<b>UGR Value</b>	UGR ≤ 22
<b>CRI</b>	CRI ≥ 80
<b>Color Bin Value</b>	Mc Adams ≤ 3

## ELECTRICAL

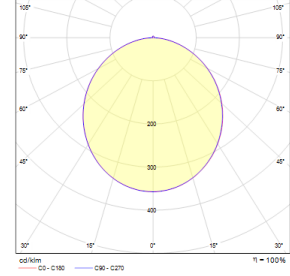
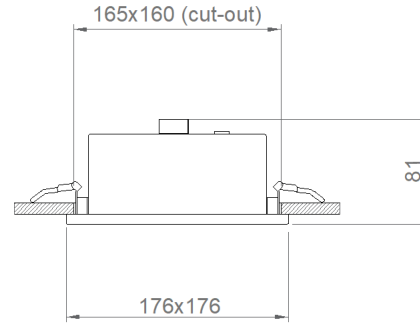
<b>Power (W)</b>	13-18W
<b>Power Factor</b>	>0.95
<b>Light Source</b>	SMD Mid Power LED
<b>Cabling</b>	Halogen-Free
<b>Input Voltage</b>	220-240V AC / 50-60 Hz
<b>LED Driver</b>	High Efficiency Constant Current Output
<b>Ambient Temperature</b>	-20°C / +50°C
<b>LED Lifetime L80B50</b>	>50.000 Hour

## OPTIONAL

- DALI	- 1-10V DIM
- Tunable White	- Emergency Lighting Unit
- Microprismatic Diffuser (UGR < 19)	- CRI > 90
- 2700K ~ 6500K	- Different RAL Color Options
- Plug-in Connector	- Class-I Protection Class
- PIR Sensor	- AC-DC Supply(MBS)

## ASSEMBLY

<b>Installation Type</b>	Under Plaster
<b>Mounting Apparatus</b>	Steel Spring



Order Code	W	Lm	CCT	CRI	WxLxH (mm)	Ceiling Cutting (mm)	Kg
05247.22.30.015	13	1120	3000	Ra>80	175x175x81	165x160	0,6

