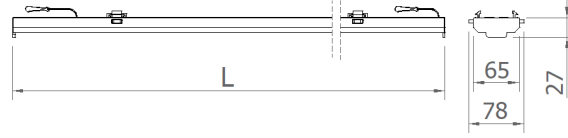
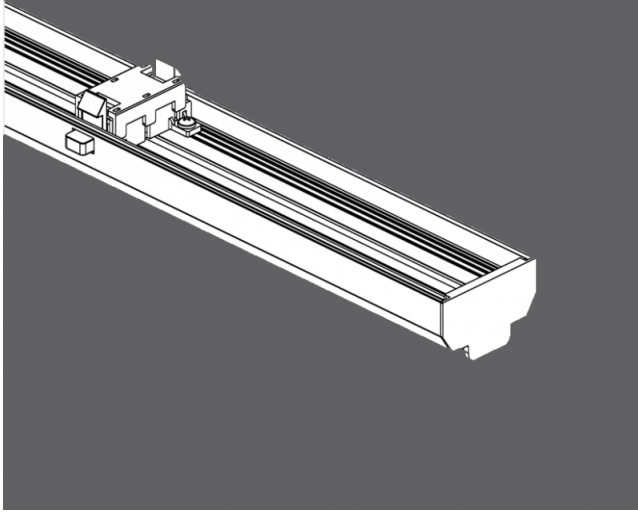


Contin Blanking Cover

Continuous Lighting System - Contin



Order Code	L (mm)
07200.000.000.001	1133
07200.000.000.002	1413
07200.000.000.003	1693

TECHNICAL INFORMATION

OPTICAL SPECIFICATIONS

ELECTRICAL

OPTIONAL

ASSEMBLY

Installation Type Surface Mounted, Pendant

