

Coral-L

Outdoor Lighting - Projector



Colour Options



Ral 7016

TECHNICAL INFORMATION

Housing	Die-cast Aluminum Body
Optics	Acrylic Optical Lens for Projector/Tunnel Lighting
Glass	Tempered, Clear Glass Diffuser
Paint	Electrostatic Powder Paint

OPTICAL SPECIFICATIONS

Optics	Asymmetrical
Light Output Angle	18°-40°-60°-90°-ASYM
UGR Value	UGR ≤ 22
CRI	CRI ≥ 80
Color Bin Value	Mc Adams ≤ 3

ELECTRICAL

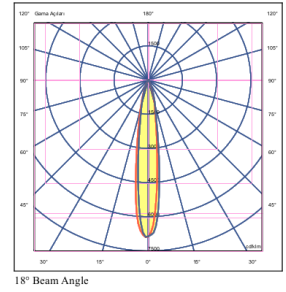
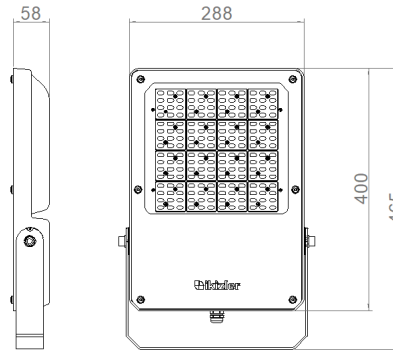
Power (W)	70-150W
Power Factor	>0.95
Light Source	SMD High Power LED
Cabling	Halogen-Free
Input Voltage	220-240V AC / 50-60 Hz
LED Driver	High Efficiency Constant Current Output
Ambient Temperature	-20°C / +50°C
LED Lifetime L80B50	>50.000 Hour

OPTIONAL

- DALI	- 1-10V DIM
- Tunable White	- Emergency Lighting Unit
- CRI > 90	- 2700K ~ 6500K
- Different RAL Color Options	- Plug-in Connector
- Class-I Protection Class	- AC-DC Supply(MBS)

ASSEMBLY

Mounting Apparatus	Metal Console
---------------------------	---------------



Order Code	W	Lm	CCT	CRI	Angle	Kg
09294.29.40.090.N00 0.18.7	70	9100	4000	Ra>70	18°	7,8
09294.29.40.090.N00 0.40.7	70	9100	4000	Ra>70	40°	7,8
09294.29.40.090.N00 0.60.7	70	9100	4000	Ra>70	60°	7,8
09294.29.40.090.N00 0.90.7	70	9100	4000	Ra>70	90°	7,8
09294.29.40.090.N00 0.AS.7	70	9100	4000	Ra>70	ASM	7,8
09294.29.40.120.N00 0.18.7	100	13000	4000	Ra>70	18°	7,8
09294.29.40.120.N00 0.40.7	100	13000	4000	Ra>70	40°	7,8
09294.29.40.120.N00 0.60.7	100	13000	4000	Ra>70	60°	7,8
09294.29.40.120.N00 0.90.7	100	13000	4000	Ra>70	90°	7,8
09294.29.40.120.N00 0.AS.7	100	13000	4000	Ra>70	ASM	7,8
09294.29.40.150.N00 0.18.7	120	15600	4000	Ra>70	18°	8,0
09294.29.40.150.N00 0.40.7	120	15670	4000	Ra>70	40°	8,0
09294.29.40.150.N00 0.60.7	120	15600	4000	Ra>70	60°	8,0
09294.29.40.150.N00 0.90.7	120	15600	4000	Ra>70	90°	8,0
09294.29.40.150.N00 0.AS.7	120	15600	4000	Ra>70	ASM	8,0
09294.29.40.180.N00 0.18.7	150	19500	4000	Ra>70	18°	8,0
09294.29.40.180.N00 0.40.7	150	19500	4000	Ra>70	40°	8,0
09294.29.40.180.N00 0.60.7	150	19500	4000	Ra>70	60°	8,0
09294.29.40.180.N00 0.90.7	150	19500	4000	Ra>70	90°	8,0
09294.29.40.180.N00 0.AS.7	150	19500	4000	Ra>70	ASM	8,0
09294.29.40.285.N00 0.30.7	190	28500	4000	Ra>70	30°	8,2
09294.29.40.285.N00 0.60.7	190	28500	4000	Ra>70	60°	8,2
09294.29.40.285.N00 0.90.7	190	28500	4000	Ra>70	90°	8,2



Verilen tüm elektriksel değerler nominal değerlerdir. Işık akısı ve bağlı elektrik yükü +/- %10 luk bir başlangıç toleransına tabidir. Renk sıcaklığı toleransı: +/-150 K.
Katalogda ve web sitesinde yer alan teknik parametreler ve ürün kodlarını içeren bilgiler, projelere göre yapılan kişiselleştirmelerden dolayı standart ürünlerden farklılık gösterebilir.
İkizler Aydınlatma, ürünlerde haber vermeden değişiklik yapma hakkına sahiptir.

Please visit our website for our updated information. www.ikizleraydinlatma.com

+90 (216) 397 22 16
info@ikizleraydinlatma.com

