

Modus

Indoor Lighting - Spot Lighting



TECHNICAL INFORMATION

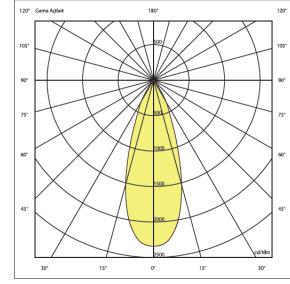
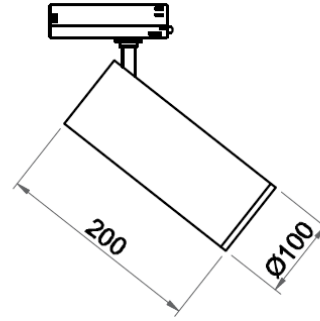
Housing
Reflector
Light Source
Driver
Input
Voltage/Input
Factor
Working
Temperature
Option

OPTICAL SPECIFICATIONS

ELECTRICAL

OPTIONAL

ASSEMBLY



Order Code	W	Lm	Angle	CCT	CRI	ØxL (mm)	Kg
05628.97.30.025	27	2960	12°	3000	Ra>80	100x200	1,2
05628.97.40.026	27	3115	12°	4000	Ra>80	100x200	1,2
05628.97.30.026	27	2960	24°	3000	Ra>80	100x200	1,2
05628.97.40.027	27	3115	24°	4000	Ra>80	100x200	1,2
05628.97.30.027	27	2960	38°	3000	Ra>80	100x200	1,2
05628.97.40.028	27	3115	38°	4000	Ra>80	100x200	1,2
05628.97.30.016	19	2110	12°	3000	Ra>80	100x200	1,2
05628.97.40.017	19	2220	12°	4000	Ra>80	100x200	1,2
05628.97.30.017	19	2110	24°	3000	Ra>80	100x200	1,2
05628.97.40.018	19	2220	24°	4000	Ra>80	100x200	1,2
05628.97.30.018	19	2110	38°	3000	Ra>80	100x200	1,2
05628.97.40.019	19	2220	38°	4000	Ra>80	100x200	1,2

