

Angel 600

Indoor Lighting - Pendant Lighting



Colour Options



Ral 9016



Ral 9006



Ral 9005

TECHNICAL INFORMATION

| | |
|-----------------|-----------------------------------|
| Housing | Extruded Aluminum Profile |
| Diffuser | Highly Transmissive Opal Diffuser |
| Paint | Electrostatic Powder Paint |

OPTICAL SPECIFICATIONS

| | |
|---------------------------|--------------|
| Optics | Symmetrical |
| Light Output Angle | 120° |
| UGR Value | UGR < 22 |
| CRI | CRI > 80 |
| Color Bin Value | Mc Adams < 3 |

ELECTRICAL

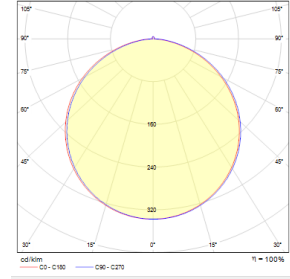
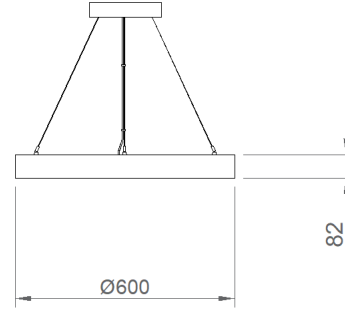
| | |
|----------------------------|-----------------------------------------|
| Power (W) | 40-60W |
| Power Factor | >0.95 |
| Light Source | SMD Mid Power LED |
| Cabling | Halogen-Free |
| Input Voltage | 220-240V AC / 50-60 Hz |
| LED Driver | High Efficiency Constant Current Output |
| Ambient Temperature | -20°C / +50°C |
| LED Lifetime L80B50 | 50.000 Hour |

OPTIONAL

| | |
|-------------------------------|---------------------------|
| - DALI | - 1-10V DIM |
| - Tunable White | - Emergency Lighting Unit |
| - CRI > 90 | - 2700K ~ 6500K |
| - Different RAL Color Options | - Plug-in Connector |
| - Class-II Protection Class | - AC-DC Supply(MBS) |

ASSEMBLY

| | |
|---------------------------|------------------------------|
| Installation Type | Pendant |
| Mounting Apparatus | Height Adjustable Steel Wire |



| Order Code | W | Lm | CCT | CRI | ØxH (mm) | Kg |
|-----------------|----|------|------|-------|----------|-----|
| 01140.60.30.051 | 60 | 4800 | 3000 | Ra>80 | Ø600x82 | 3,0 |

