

# Angel 600

Indoor Lighting - Pendant Lighting



Colour Options



Ral 9016

Ral 9006

Ral 9005

## TECHNICAL INFORMATION

**Housing** Extruded Aluminum Profile  
**Diffuser** Highly Transmissive Opal Diffuser  
**Paint** Electrostatic Powder Paint

## OPTICAL SPECIFICATIONS

**Optics** Symmetrical  
**Light Output Angle** 120°  
**UGR Value** UGR < 22  
**CRI** CRI > 80  
**Color Bin Value** Mc Adams < 3

## ELECTRICAL

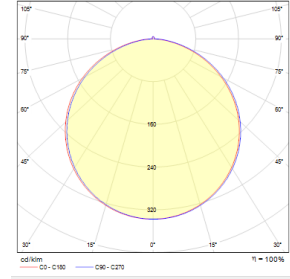
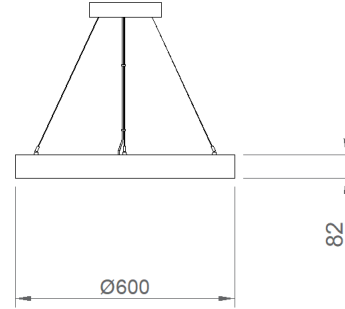
**Power (W)** 40-60W  
**Power Factor** >0.95  
**Light Source** SMD Mid Power LED  
**Cabling** Halogen-Free  
**Input Voltage** 220-240V AC / 50-60 Hz  
**LED Driver** High Efficiency Constant Current Output  
**Ambient Temperature** -20°C / +50°C  
**LED Lifetime L80B50** 50.000 Hour

## OPTIONAL

- DALI  
- Tunable White  
- CRI > 90  
- Different RAL Color Options  
- Class-II Protection Class  
- 1-10V DIM  
- Emergency Lighting Unit  
- 2700K ~ 6500K  
- Plug-in Connector  
- AC-DC Supply(MBS)

## ASSEMBLY

**Installation Type** Pendant  
**Mounting Apparatus** Height Adjustable Steel Wire



Order Code	W	Lm	CCT	CRI	ØxH (mm)	Kg
01140.60.30.037	40	3200	3000	Ra>80	Ø600x82	3,0

