

Angel 600

Indoor Lighting - Pendant Lighting



Colour Options



TECHNICAL INFORMATION

Housing Extruded Aluminum Profile
Diffuser Highly Transmissive Opal Diffuser
Paint Electrostatic Powder Paint

OPTICAL SPECIFICATIONS

Optics Symmetrical
Light Output Angle 120°
UGR Value UGR < 22
CRI CRI > 80
Color Bin Value Mc Adams < 3

ELECTRICAL

Power (W) 40-60W
Power Factor >0.95
Light Source SMD Mid Power LED
Cabling Halogen-Free
Input Voltage 220-240V AC / 50-60 Hz
LED Driver High Efficiency Constant Current Output
Ambient Temperature -20°C / +50°C
LED Lifetime L80B50 50.000 Hour

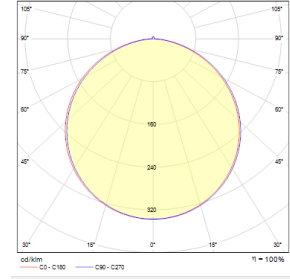
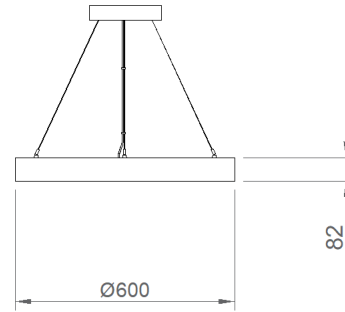
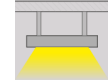
OPTIONAL

- DALI
- Tunable White
- CRI > 90
- Different RAL Color Options
- Class-II Protection Class

- 1-10V DIM
- Emergency Lighting Unit
- 2700K ~ 6500K
- Plug-in Connector
- AC-DC Supply(MBS)

ASSEMBLY

Installation Type Pendant
Mounting Apparatus Height Adjustable Steel Wire



Order Code	W	Lm	CCT	CRI	ØxH (mm)	Kg
01140.60.30.037	40	3200	3000	Ra>80	Ø600x82	3,0
01140.60.40.039	40	3400	4000	Ra>80	Ø600x82	3,0
01140.60.30.051	60	4800	3000	Ra>80	Ø600x82	3,0
01140.60.40.054	60	5040	4000	Ra>80	Ø600x82	3,0

