

Focus

Acoustic Lighting - STILL Series



TECHNICAL INFORMATION

Housing	Extruded Aluminum Profile + Metal Carrier
Diffuser	High Transmission Opal Diffuser
Accessories	Acoustic Panel
Paint	Electrostatic Powder Painted

OPTICAL SPECIFICATIONS

Light Distribution	Symmetrical
Light Output Angle	120°
UGR Value	UGR ≤ 19
CRI	CRI ≥ 80
Color Bin Value	Mc Adams ≤ 3

ELECTRICAL

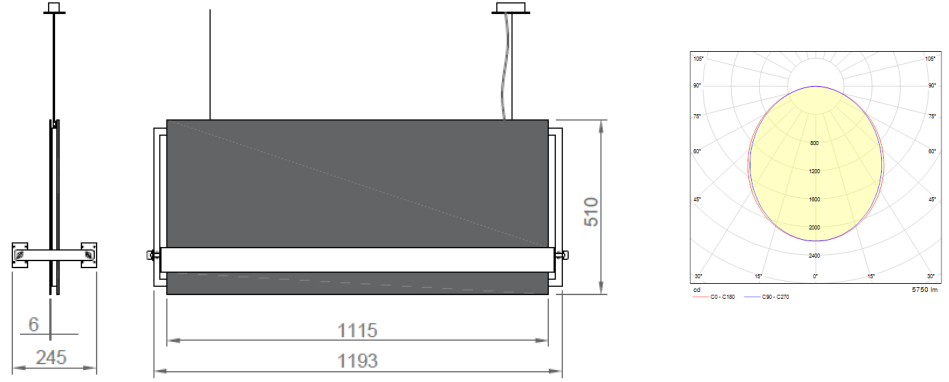
Power (W)	58W
Power Factor	>0.95
Light Source	SMD Mid Power LED
Cabling	Halogen-Free
Input Voltage	220-240V AC / 50-60 Hz
LED Driver	High Efficiency Constant Current Output
Ambient Temperature	-20°C / +50°C
LED Lifetime L80B50	>50.000 Hour

OPTIONAL

DALI

ASSEMBLY

Installation Type Pendant



Order Code	W	Lm	CCT	CRI	WxLxH (mm)	Kg
01183.21.30.062	58	5350	3000	Ra>80	245x1193x510	14,0
01183.21.40.061	58	5750	4000	Ra>80	245x1193x510	14,0

