

Slot-019

Indoor Lighting - Downlight Lighting



Colour Options



TECHNICAL INFORMATION

Housing	Aluminum injection
Reflector	Anodized aluminum
Diffuser	Transparent Acrylic
Frame	Aluminum injection
Paint	Electrostatic Powder Paint

OPTICAL SPECIFICATIONS

Optics	Symmetrical
Light Output Angle	97°
UGR Value	UGR < 22
CRI	CRI ≥ 80
Color Bin Value	Mc Adams ≤ 3

ELECTRICAL

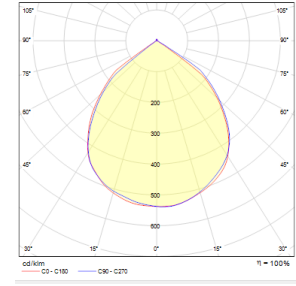
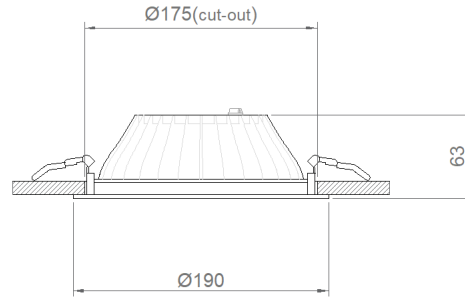
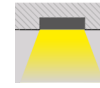
Power (W)	13-19W
Power Factor	>0.95
Light Source	COB LED
Cabling	Halogen-Free
Input Voltage	220-240V AC / 50-60 Hz
LED Driver	High Efficiency Constant Current Output
Ambient Temperature	-20°C / +50°C
LED Lifetime L80B50	>50.000 Hour

OPTIONAL

- DALI	- 1-10V DIM
- Tunable White	- Emergency Lighting Unit
- Microprismatic Diffuser (UGR < 19)	- CRI > 90
- 2700K ~ 6500K	- Different RAL Color Options
- Plug-in Energy Input Connector	- Class-I Protection Class
- PIR Sensor	- AC-DC Supply(MBS)

ASSEMBLY

Installation Type	Under Plaster
Mounting Apparatus	Steel Spring



Order Code	W	Lm	Lm	CRI	ØxH (mm)	Cut-out dimensions (mm)	Kg
05396.19.30.012	13	1250	3000	Ra>80	190x63	175	0,9
05396.19.40.013	13	1310	4000	Ra>80	190x63	175	0,9
05396.19.30.016	19	1650	3000	Ra>80	190x63	175	0,9
05396.19.40.017	19	1710	4000	Ra>80	190x63	175	0,9

