

Luna-023

Indoor Lighting - Downlight Lighting



Colour Options



TECHNICAL INFORMATION

Housing	Extruded Aluminum Profile
Diffuser	High Transmittance Opal Diffuser
Frame	Aluminum Injection
Paint	Electrostatic Powder Paint

OPTICAL SPECIFICATIONS

Optics	Symmetrical
Light Output Angle	110°
UGR Value	UGR < 22
CRI	CRI ≥ 80
Color Bin Value	Mc Adams ≤ 3

ELECTRICAL

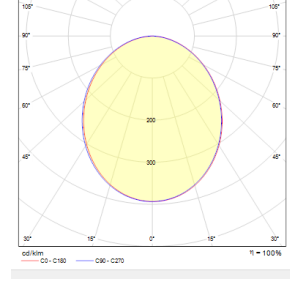
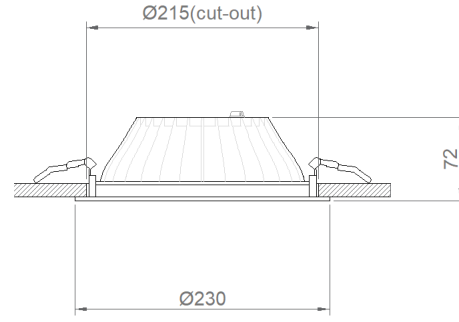
Power (W)	28W-30W
Power Factor	>0.95
Light Source	SMD Mid Power LED
Cabling	Halogen-Free
Input Voltage	220-240V AC / 50-60 Hz
LED Driver	High Efficiency Constant Current Output
Ambient Temperature	-20°C / +50°C
LED Lifetime L80B50	>50.000 Hour

OPTIONAL

- DALI	- 1-10V DIM
- Tunable White	- Emergency Lighting Unit
- Microprismatic Diffuser (UGR < 19)	- CRI > 90
- 2700K ~ 6500K	- Different RAL Color Options
- Plug-in Energy Input Connector	- Class-I Protection Class
- PIR Sensor	- AC-DC Supply(MBS)

ASSEMBLY

Installation Type	Under Plaster
Mounting Apparatus	Steel Spring



Order Code	W	Lm	CCT	CRI	ØxH (mm)	Ceiling Cutting (mm)	Kg
05393.23.30.029	28	2760	3000	Ra>80	230x72	215	1,0
05393.23.40.029	28	2900	4000	Ra>80	230x72	215	1,0

