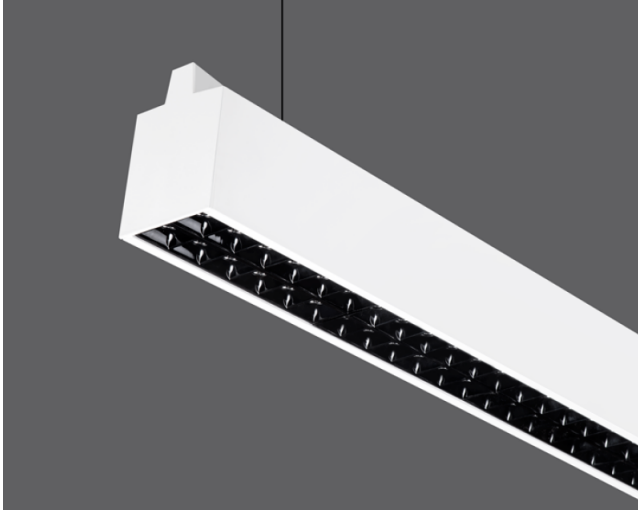


# Nord - R

Indoor Lighting - Pendant Lighting



## TECHNICAL INFORMATION

<b>Housing</b>	Extruded aluminum profile with electrostatic coating
<b>Reflector</b>	Direct: Aluminum coated, vacuumed PC reflector with glare control , Indirect: Opal diffuser
<b>LED Lifetime L80B50</b>	50.000 hours
<b>Mounting System</b>	Pendant
<b>UGR</b>	< 17

## OPTICAL SPECIFICATIONS

<b>Light Distribution</b>	Direct - Indirect
<b>Light Output Angle</b>	36°
<b>UGR Value</b>	80
<b>Color Bin Value</b>	Mc Adams < 3
<b>Color Temperature (CCT)</b>	3000K/4000K

## ELECTRICAL

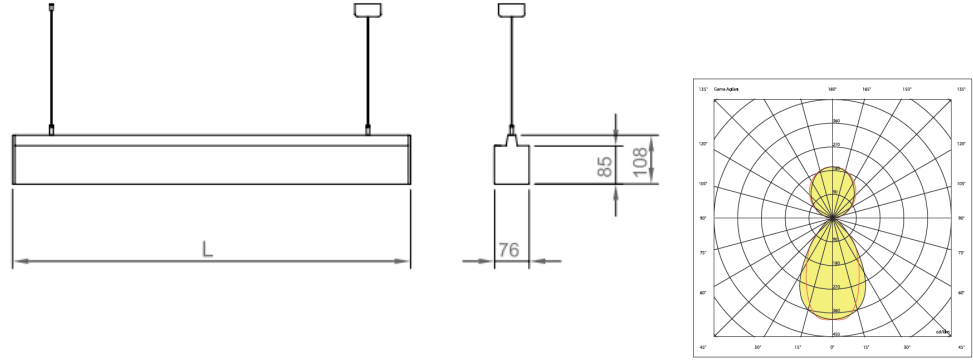
<b>Power (W)</b>	56-72W
<b>Power Factor</b>	>95
<b>Light Source</b>	SMD Mid Power LED
<b>Cabling</b>	Halogen-Free
<b>Input Voltage</b>	220-240V / 50-60 Hz

## OPTIONAL

DALI  
Emergency Lighting Unit

## ASSEMBLY

Installation Type Pendant



Order Code	W	Lm	CCT	Angle	CRI	L (mm)	Kg
01181.71.30.060	56	6040	3000	36°	Ra>80	1125	3,2
01181.71.40.064	56	6400	4000	36°	Ra>80	1125	3,2
01181.71.30.081	72	8170	3000	36°	Ra>80	1440	4,0
01181.71.40.086	72	8600	4000	36°	Ra>80	1440	4,0

