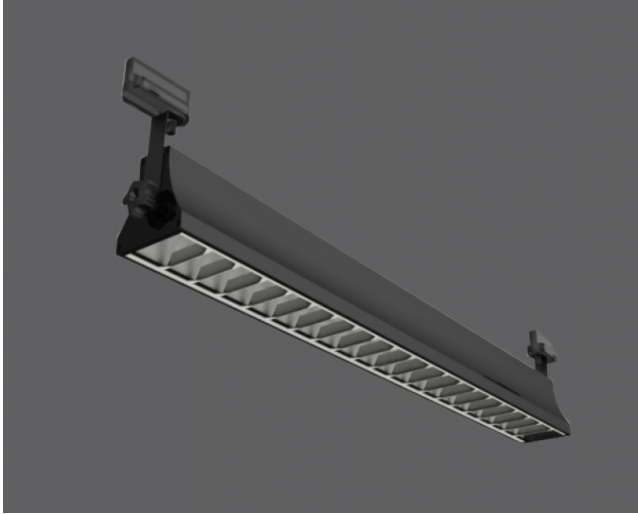


Yuwi

Indoor Lighting - Spot Lighting



Colour Options



TECHNICAL INFORMATION

Housing	Aluminum Extruded Profile
Side Cover	Aluminum Injection
Diffuser	PC Optical Lens + Metal Light Refractor
Paint	Electrostatic Powder Paint

OPTICAL SPECIFICATIONS

Optics	Symmetrical / Asymmetrical
Light Output Angle	60° / 90° / 25°
UGR Value	UGR ≤ 22
CRI	CRI ≥ 80
Color Bin Value	Mc Adams ≤ 3

ELECTRICAL

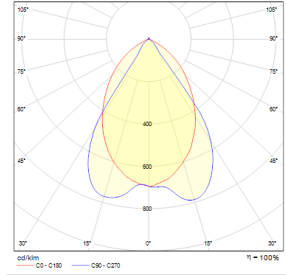
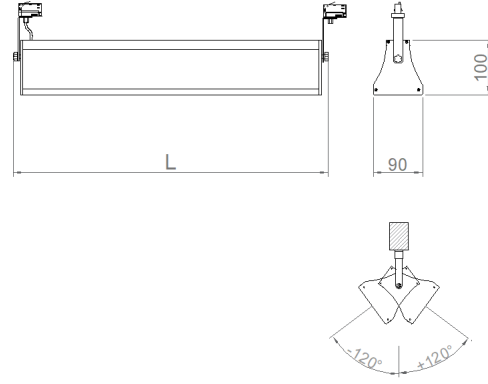
Power (W)	28-49W
Power Factor	>0.95
Light Source	Mid Power LED
Cabling	Halojen-Free
Input Voltage	220-240V AC / 50-60 Hz
LED Driver	High Efficiency Constant Current Output
Ambient Temperature	-20°C / +50°C
LED Lifetime L80B50	>50.000 Hour

OPTIONAL

- DALI	- 1-10V DIM
- Tunable White	- CRI > 90
- 2700K ~ 6500K	- Different RAL Color Options
- AC-DC Supply(MBS)	

ASSEMBLY

Installation Type Ray Socket



Order Code	W	Lm	CCT	CRI	WxLxH (mm)	Kg
01196.91.30.031	28	2060	3000	Ra>80	600x90x100	2,1
01196.91.40.033	28	2070	4000	Ra>80	600x90x100	2,1
01196.91.30.046	42	4656	3000	Ra>80	900x90x100	3,1
01196.91.40.048	42	4850	4000	Ra>80	900x90x100	3,1
01196.91.30.053	49	5330	3000	Ra>80	1200x90x100	4,2
01196.91.40.055	49	5550	4000	Ra>80	1200x90x100	4,2

