

# Zen

## Indoor Lighting - Pendant Lighting



### Colour Options



### TECHNICAL INFORMATION

<b>Housing</b>	Extruded Aluminum Profile With Electrostatic Coating
<b>Side Cover</b>	Aluminum Injection
<b>Diffuser</b>	Acrylic Optical Lens
<b>Paint</b>	Electrostatic Powder Painted
<b>Dimensions(mm)</b>	71(W) x 101(H)

### OPTICAL SPECIFICATIONS

<b>Optics</b>	Direct - Indirect
<b>Light Output Angle</b>	30°/ 60°/ 90°
<b>UGR Value</b>	UGR ≤ 22
<b>CRI</b>	CRI ≥ 80
<b>Color Bin Value</b>	Mc Adams ≤ 3

### ELECTRICAL

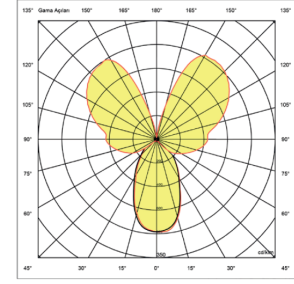
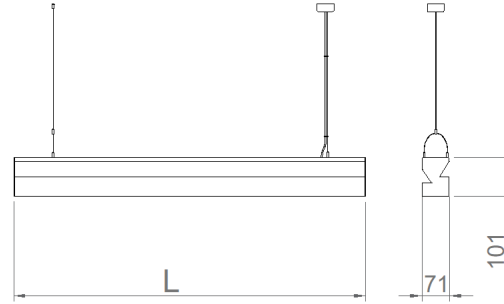
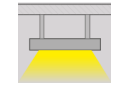
<b>Power (W)</b>	61-75W
<b>Power Factor</b>	>0.95
<b>Light Source</b>	SMD Mid Power LED
<b>Cabling</b>	Halogen-Free
<b>Input Voltage</b>	220-240V AC/ 50-60 Hz
<b>LED Driver</b>	High Efficiency Constant Current Output
<b>Ambient Temperature</b>	-20°C / +50°C
<b>LED Lifetime L80B50</b>	>50.000 Hour

### OPTIONAL

- DALI	- 1-10V DIM
- Tunable White	- Emergency Lighting Unit
- CRI > 90	- 2700K ~ 6500K
- Different RAL Color Options	- Plug-in Energy Input Connector
- Class-II Protection Class	- AC-DC Supply(MBS)

### ASSEMBLY

<b>Installation Type</b>	Pendant
<b>Mounting Apparatus</b>	Height Adjustable Steel Wire



Order Code	W	Lm	CCT	CRI	L (mm)	Kg
01184.71.30.075	61	7570	3000	Ra>80	1260	4,2
01184.71.40.080	61	8020	4000	Ra>80	1260	4,2
01184.71.30.091	75	9160	3000	Ra>80	1510	5,1
01184.71.40.097	75	9700	4000	Ra>80	1510	5,1

