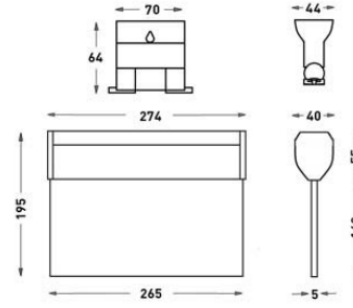


# Run

Indoor Lighting - Emergency Lighting and Directional Luminaire



Order Code	W	How to use	Battery	WxHxL (mm)	Kg
80412.010.025.D-E2-E2	4,87	Çift Yüzlü	3H	40X210X300	0,800

## TECHNICAL INFORMATION

<b>Housing</b>	Aluminium
<b>Frame</b>	Foil Printed Acrylic Lens
<b>Diffuser</b>	Transparent Plexiglass
<b>Paint</b>	Anodizing
<b>Side Cover</b>	Polycarbon

## OPTICAL SPECIFICATIONS

## ELECTRICAL

<b>Power (W)</b>	4,87W
<b>Power Factor</b>	>0.90
<b>Light Source</b>	SMD Mid Power LED
<b>Input Voltage</b>	220-240V AC / 50-60 Hz
<b>LED Driver</b>	High Efficiency Constant Current Output Rail
<b>Ambient Temperature</b>	0°C / +40°C
<b>LED Lifetime L80B50</b>	>50.000 Hour
<b>Battery</b>	Ni-Cd

## OPTIONAL

- Emergency Test Button	- Battery Charge Indicator with Green LED
- 2700K ~ 6500K	- Class-II Protection Class

## ASSEMBLY

<b>Installation Type</b>	Under Plaster, Surface Mounted
<b>Mounting Apparatus</b>	Metal Bracket

