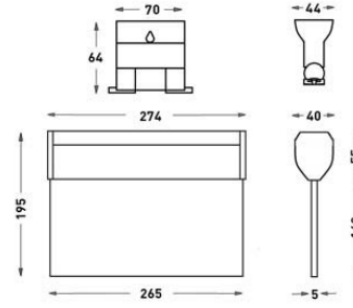


# Run

Indoor Lighting - Emergency Lighting and Directional Luminaire



| Order Code         | W    | How to use | Battery | WxHxL (mm) | Kg    |
|--------------------|------|------------|---------|------------|-------|
| 80411.010.025.D-E2 | 4,87 | Tek Yüzlü  | 3H      | 40X210X300 | 0,800 |

## TECHNICAL INFORMATION

|                   |                           |
|-------------------|---------------------------|
| <b>Housing</b>    | Aluminium                 |
| <b>Frame</b>      | Foil Printed Acrylic Lens |
| <b>Diffuser</b>   | Transparent Plexiglass    |
| <b>Paint</b>      | Anodizing                 |
| <b>Side Cover</b> | Polycarbon                |

## OPTICAL SPECIFICATIONS

## ELECTRICAL

|                            |  |
|----------------------------|--|
| <b>Power (W)</b>           | 4,87W  |
| <b>Power Factor</b>        | >0.90  |
| <b>Light Source</b>        | SMD Mid Power LED                            |
| <b>Input Voltage</b>       | 220-240V AC / 50-60 Hz                       |
| <b>LED Driver</b>          | High Efficiency Constant Current Output Rail |
| <b>Ambient Temperature</b> | 0°C / +40°C                                  |
| <b>LED Lifetime L80B50</b> | >50.000 Hour                                 |
| <b>Battery</b>             | Ni-Cd  |

## OPTIONAL

|                         |   |
|-------------------------|---|
| - Emergency Test Button | - Battery Charge Indicator with Green LED |
| - 2700K ~ 6500K         | - Class-II Protection Class               |

## ASSEMBLY

|                           |                                |
|---------------------------|--------------------------------|
| <b>Installation Type</b>  | Under Plaster, Surface Mounted |
| <b>Mounting Apparatus</b> | Metal Bracket                  |

