

Vivid

Indoor Lighting - Downlight Lighting



Colour Options



TECHNICAL INFORMATION

Housing Aluminum Profile + Metal
Frame Aluminum Injection
Reflector
Paint

OPTICAL SPECIFICATIONS

Light Distribution Symmetrical
Light Output Angle 45°
UGR Value UGR < 16
CRI CRI ≥ 80
Color Bin Value Mc Adams ≤ 3

ELECTRICAL

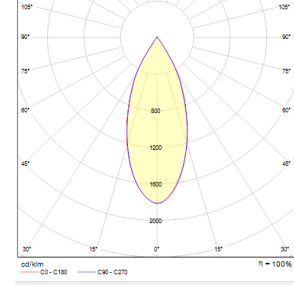
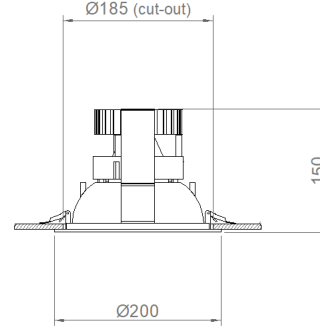
Power (W) 37W
Power Factor >0.95
Light Source COB LED
Cabling Halogen-Free
Input Voltage 220-240V AC / 50-60 Hz
LED Driver High Efficiency Constant Current Output
Ambient Temperature -20°C / +50°C
LED Lifetime L80B50 >50.000 Hour

OPTIONAL

- DALI
- Tunable White
- Microprismatic Diffuser (UGR < 19)
- 2700K ~ 6500K
- Plug-in Energy Input Connector
- PIR Sensor
- 1-10V DIM
- Emergency Lighting Unit
- CRI > 90
- Different RAL Color Options
- Class-I Protection Class
- AC-DC Supply(MBS)

ASSEMBLY

Installation Type Under Plaster
Mounting Apparatus Steel Spring



Order Code	W	Lm	CCT	CRI	ØxH (mm)	Cut-out dimensions (mm)	Kg
05558.13.40.021	27	2670	4000	Ra>80	200x150	185	0,75

