

# Vivid

Indoor Lighting - Downlight Lighting



## Colour Options



## TECHNICAL INFORMATION

**Housing** Aluminum Profile + Metal  
**Frame** Aluminum Injection  
**Reflector**  
**Paint**

## OPTICAL SPECIFICATIONS

**Light Distribution** Symmetrical  
**Light Output Angle** 45°  
**UGR Value** UGR < 16  
**CRI** CRI ≥ 80  
**Color Bin Value** Mc Adams ≤ 3

## ELECTRICAL

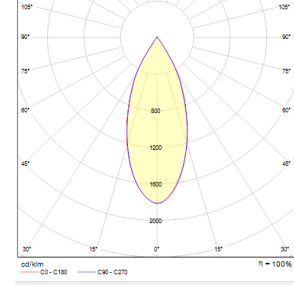
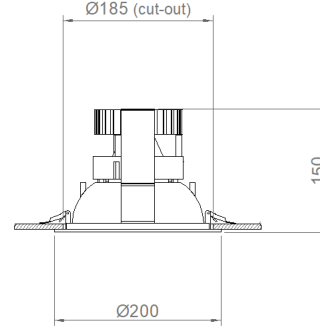
**Power (W)** 37W  
**Power Factor** >0.95  
**Light Source** COB LED  
**Cabling** Halogen-Free  
**Input Voltage** 220-240V AC / 50-60 Hz  
**LED Driver** High Efficiency Constant Current Output  
**Ambient Temperature** -20°C / +50°C  
**LED Lifetime L80B50** >50.000 Hour

## OPTIONAL

- DALI
- Tunable White
- Microprismatic Diffuser (UGR < 19)
- 2700K ~ 6500K
- Plug-in Energy Input Connector
- PIR Sensor
- 1-10V DIM
- Emergency Lighting Unit
- CRI > 90
- Different RAL Color Options
- Class-I Protection Class
- AC-DC Supply(MBS)

## ASSEMBLY

**Installation Type** Under Plaster  
**Mounting Apparatus** Steel Spring



Order Code	W	Lm	CCT	CRI	ØxH (mm)	Cut-out dimensions (mm)	Kg
05558.13.30.021	27	2435	3000	Ra>80	200x150	185	0,75

