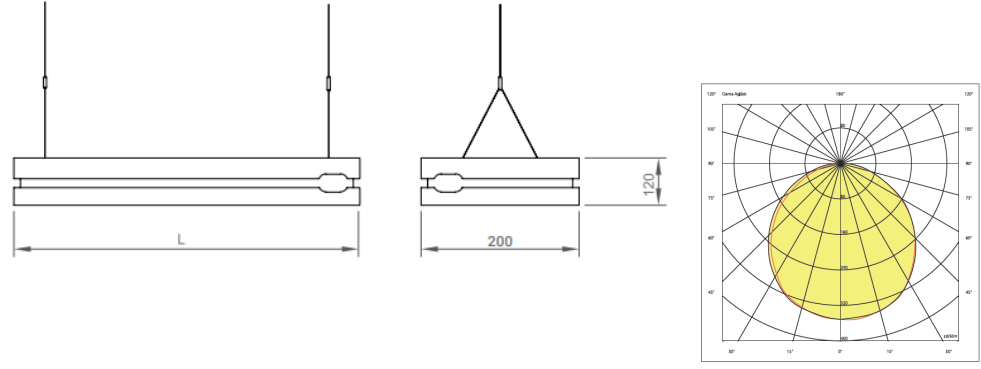
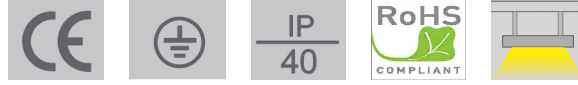
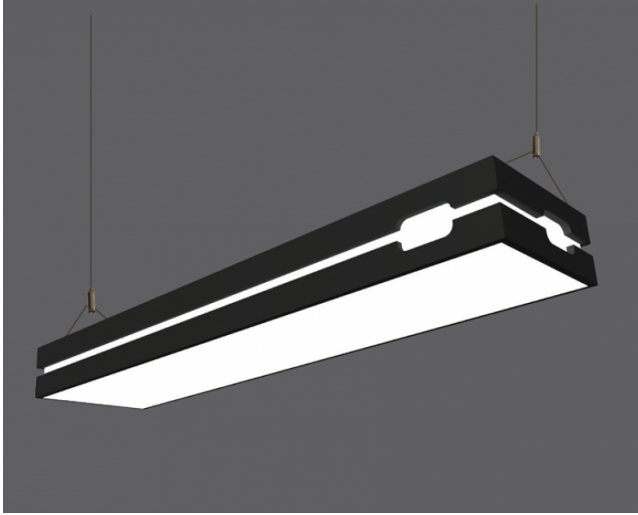


Orion Saif

Indoor Lighting - Pendant Lighting



Order Code	W	Lm	CCT	CRI	L (mm)	Kg
01117.21.30.039	46	4000	3000	Ra>80	1180	4,8
01117.21.40.041	46	4200	4000	Ra>80	1180	4,8

TECHNICAL INFORMATION

Housing	Extruded aluminum profile with electrostatic coating
Optics	Highly transmissive opal diffuser
LED Lifetime	50.000 hours
L70B50	
Side Diffuser	White,Blue,Green,Magenta and Red
Color Options	
Mounting System	Pendant

OPTICAL SPECIFICATIONS

Light Distribution	Symmetrical
Light Output Angle	120°
UGR Value	80
Color Bin Value	Mc Adams < 3
Color Temperature (CCT)	3000K/4000K

ELECTRICAL

Power (W)	46W
Power Factor	>95
Light Source	SMD Mid Power LED
Cabling	Halogen-Free
Input Voltage	220-240V / 50-60 Hz

OPTIONAL

DALI
Emergency Lighting Unit

ASSEMBLY

Installation Type Pendant

